

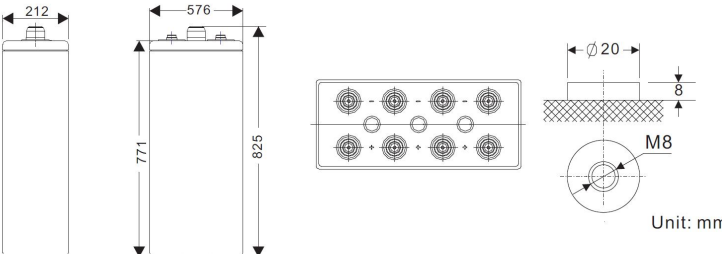


OPzS3000 Tubular Battery



PHYSICAL SPECIFICATION

Nominal Voltage		2V	
Nominal Capacity (10HR)		3000Ah	
Dimension	Length	576±2mm	(22.68 inches)
	Width	212±2mm	(8.35 inches)
	Container Height	771±2mm	(30.35 inches)
	Total Height	825±2mm	(32.48 inches)
Weight		Approx. 230 Kg ±3% (506.9lbs)	
Standard Terminal		Bolt-and-nuts terminal Bolt Type: M8	



Unit: mm



ELECTRICAL SPECIFICATION

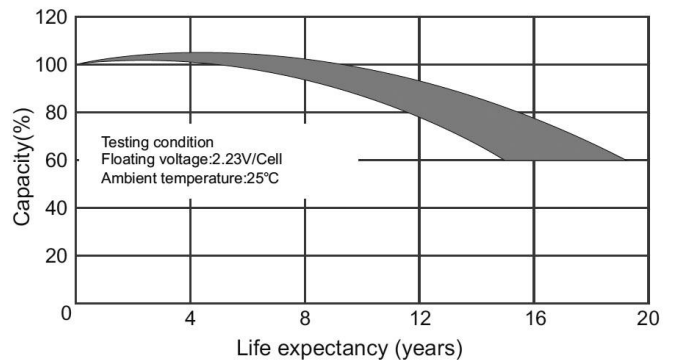
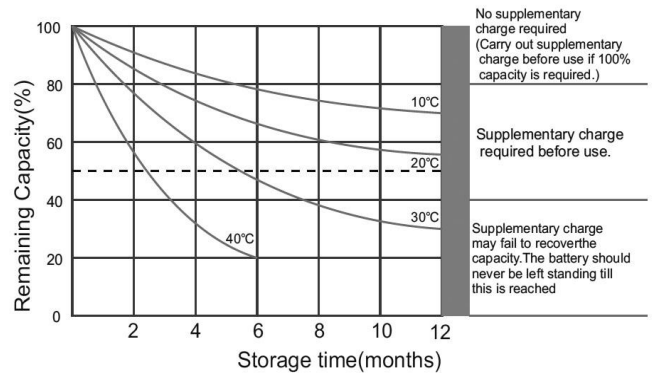
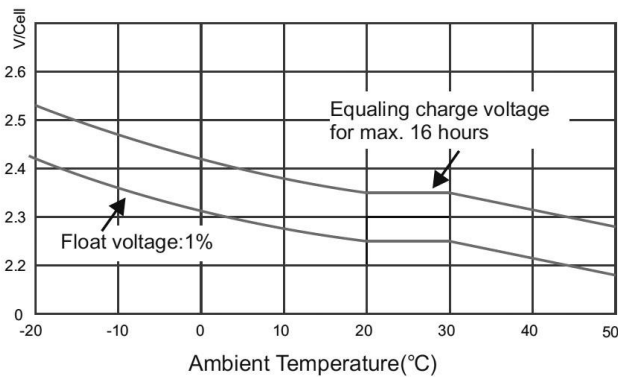
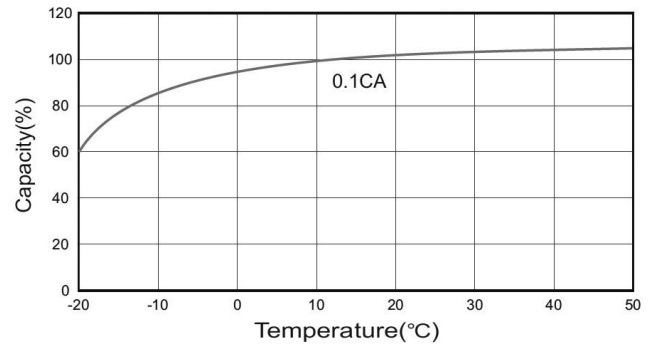
Characteristics			Main Advantages
Capacity	20 hour rate (186.2A to 1.80v/cell) 10 hour rate (316.9A to 1.80v/cell) 5 hour rate (541.2A to 1.75v/cell) 1hour rate (1818A to 1.60v/cell)	3724Ah 3169Ah 2706Ah 1818Ah	>> adopt tubular positive plate >> longest lifespan under deep discharge >> Strong temperature resistance performance >> Better charge reception capability >> 20 years design life
Operating Temp. Range	Discharge : -20℃~55℃ Charge : -10℃~45℃ Storage : -15℃~45℃		
Max. Discharge Current	13000A(5sec)		
Short Circuit Current	27000A		
Designed life	20 years (floating) at 25℃(77 °F)		
Internal Resistance	Full charged battery (25℃,77 °F) 0.10mΩ		
Constant Voltage Charge	Cycle	Initial Charging Current less than :≤750A Voltage: 2.35~2.40V at 25℃ (77 °F) Temperature Coefficient -5mV/℃	
	Standby	No limit on Initial Charging Current Voltage: 2.23V at 25℃ (77 °F) Temperature Coefficient -3mV/℃	

CONSTANT CURRENT DISCHARGE RATING A@25℃

F.V/TIME	30min	1h	2h	3h	4h	5h	8h	10h	24h
1.60V	2528	1731	1079	778	620	534	382.5	318.3	141.60
1.65V	2444	1690	1058	766	614	529	379.8	316.5	141.58
1.70V	2342	1640	1032	754	605	521	375.3	315.0	140.10
1.75V	2254	1591	1006	737	593	513	368.4	310.5	137.70
1.80V	2062	1516	968	722	582	501	359.1	300.9	134.40
1.85V	1830	1408	915	698	564	485	348.9	297.0	130.20

CONSTANT POWER DISCHARGE RATING WATT PER CELL@25℃

F.V/TIME	30min	1h	2h	3h	4h	5h	8h	10h	24h
1.60V	4608	3189	1992	1440	1149	990	711.3	591.6	264.30
1.65V	4497	3120	1950	1419	1137	981	705.9	589.2	263.70
1.70V	4320	3030	1908	1401	1125	966	696.6	585.9	260.70
1.75V	4170	2958	1869	1371	1107	954	687.3	580.5	258.60
1.80V	3849	2853	1824	1362	1101	948	681.9	570.3	255.30
1.85V	3480	2670	1746	1335	1080	930	669.6	567.6	252.30



(Note) All above information shall be changed without prior notice, Shimastu reserves the right to explain and update the latest information.