

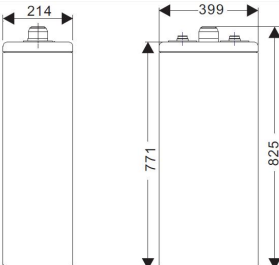
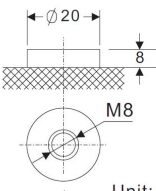


OPzS2000 Tubular Battery



PHYSICAL SPECIFICATION

| | | | |
|-------------------------|------------------|---|----------------|
| Nominal Voltage | | 2V | |
| Nominal Capacity (10HR) | | 2000Ah | |
| Dimension | Length | 399±2mm | (15.71 inches) |
| | Width | 214±2mm | (8.43 inches) |
| | Container Height | 771±2mm | (30.35 inches) |
| | Total Height | 825±2mm | (32.48 inches) |
| Weight | | Approx. 150 Kg ±3% (330.6lbs) | |
| Standard Terminal | | Bolt-and-nuts terminal Bolt Type: M8 | |

Unit: mm



ELECTRICAL SPECIFICATION

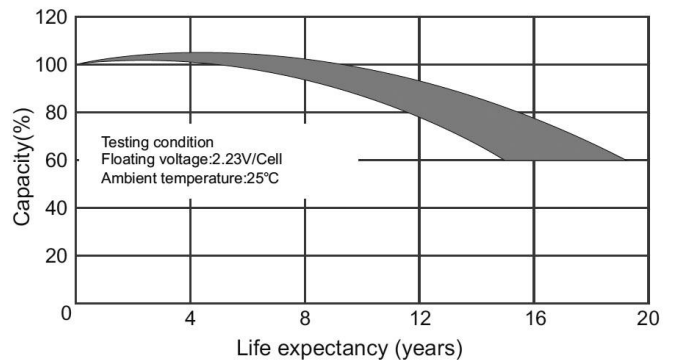
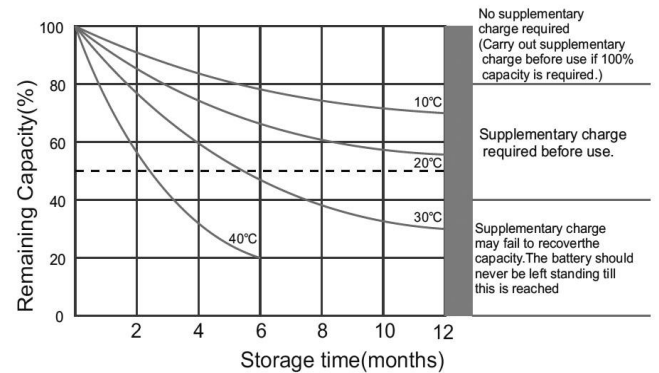
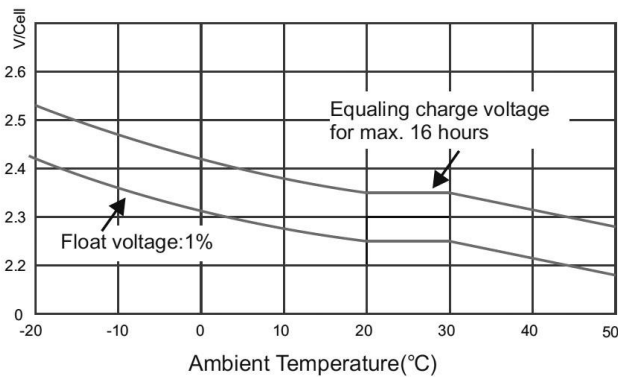
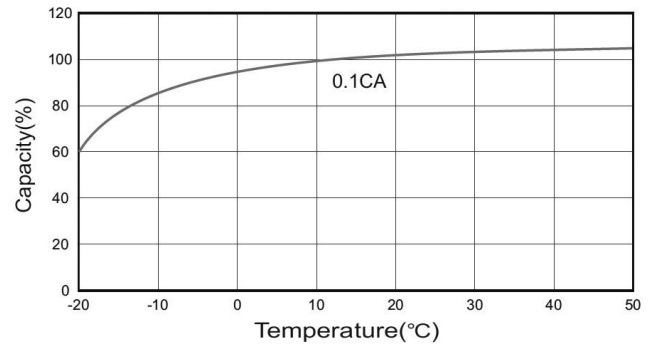
| Characteristics | | | Main Advantages |
|-------------------------|--|--|---|
| Capacity | 20 hour rate (124.1A to 1.80v/cell) 10 hour rate (211.3A to 1.80v/cell) 5 hour rate (360.8A to 1.75v/cell) 1hour rate (1212A to 1.60v/cell) | 2480Ah 2113Ah 1804Ah 1212Ah | <ul style="list-style-type: none"> >> adopt tubular positive plate >> longest lifespan under deep discharge >> Strong temperature resistance performance >> Better charge reception capability >> 20 years design life |
| Operating Temp. Range | Discharge : -20℃~55℃ Charge : -10℃~45℃ Storage : -15℃~45℃ | | |
| Max. Discharge Current | 10000A(5sec) | | |
| Short Circuit Current | 15000A | | |
| Designed life | 20 years (floating) at 25℃(77 °F) | | |
| Internal Resistance | Full charged battery (25℃,77 °F) 0.14mΩ | | |
| Constant Voltage Charge | Cycle | Initial Charging Current less than :≤500A Voltage: 2.35~2.40V at 25℃ (77 °F) Temperature Coefficient -5mV/℃ | |
| | Standby | No limit on Initial Charging Current Voltage: 2.23V at 25℃ (77 °F) Temperature Coefficient -3mV/℃ | |

CONSTANT CURRENT DISCHARGE RATING A@25℃

| F.V/TIME | 30min | 1h | 2h | 3h | 4h | 5h | 8h | 10h | 24h |
|----------|-------|------|-----|-----|-----|-----|-------|-------|-------|
| 1.60V | 1685 | 1154 | 719 | 518 | 413 | 356 | 255.0 | 212.2 | 94.40 |
| 1.65V | 1629 | 1127 | 705 | 511 | 409 | 352 | 253.2 | 211.0 | 94.38 |
| 1.70V | 1561 | 1094 | 688 | 503 | 404 | 347 | 250.2 | 210.0 | 93.40 |
| 1.75V | 1503 | 1061 | 670 | 491 | 396 | 342 | 245.6 | 207.0 | 91.80 |
| 1.80V | 1375 | 1010 | 645 | 481 | 388 | 334 | 239.4 | 200.6 | 89.60 |
| 1.85V | 1220 | 938 | 610 | 466 | 376 | 323 | 232.6 | 198.0 | 86.80 |

CONSTANT POWER DISCHARGE RATING WATT PER CELL@25℃

| F.V/TIME | 30min | 1h | 2h | 3h | 4h | 5h | 8h | 10h | 24h |
|----------|-------|------|------|-----|-----|-----|-------|-------|--------|
| 1.60V | 3072 | 2126 | 1328 | 960 | 766 | 660 | 474.2 | 394.4 | 176.20 |
| 1.65V | 2998 | 2080 | 1300 | 946 | 758 | 654 | 470.6 | 392.8 | 175.80 |
| 1.70V | 2880 | 2020 | 1272 | 934 | 750 | 644 | 464.4 | 390.6 | 173.80 |
| 1.75V | 2780 | 1972 | 1246 | 914 | 738 | 636 | 458.2 | 387.0 | 172.40 |
| 1.80V | 2566 | 1902 | 1216 | 908 | 734 | 632 | 454.6 | 380.2 | 170.20 |
| 1.85V | 2320 | 1780 | 1164 | 890 | 720 | 620 | 446.4 | 378.4 | 168.20 |



(Note) All above information shall be changed without prior notice, Shimastu reserves the right to explain and update the latest information.