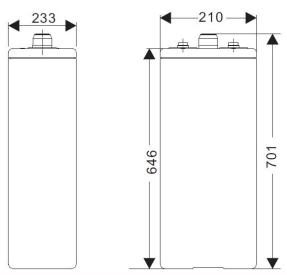
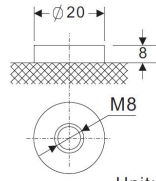


PHYSICAL SPECIFICATION

Nominal Voltage		2V	
Nominal Capacity (10HR)		1000Ah	
Dimension	Length	233±2mm	(9.17 inches)
	Width	210±2mm	(8.27 inches)
	Container Height	646±2mm	(25.43 inches)
	Total Height	701±2mm	(27.60 inches)
Weight		Approx. 78 Kg ±3% (171.9lbs)	
Standard Terminal		Bolt-and-nuts terminal Bolt Type: M8	

Unit: mm



ELECTRICAL SPECIFICATION

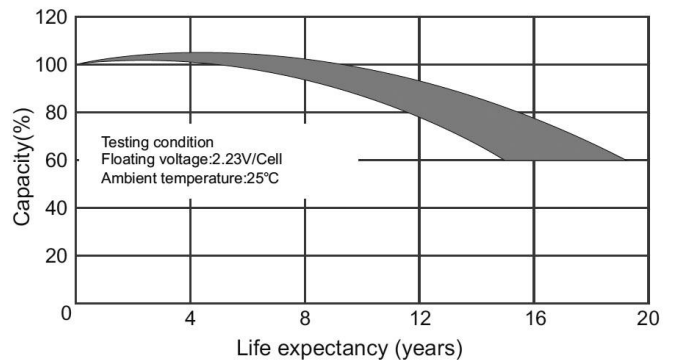
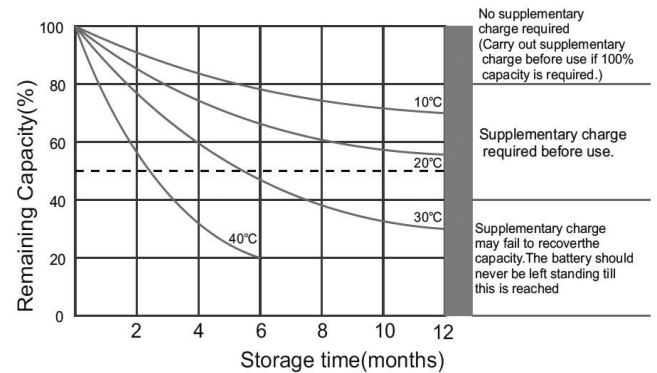
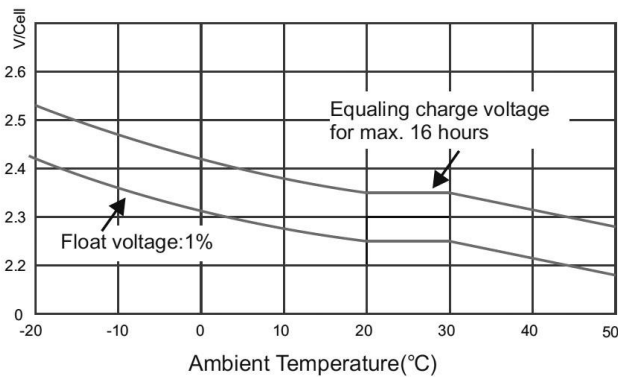
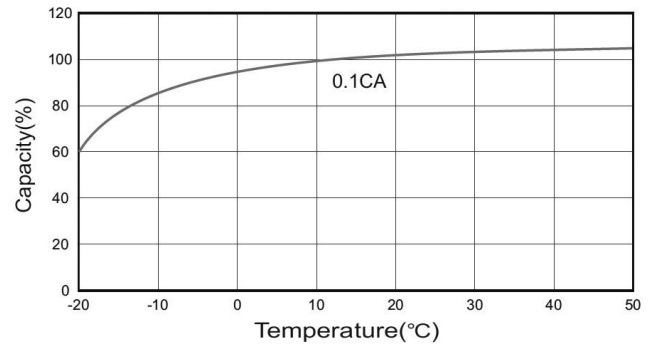
Characteristics			Main Advantages
Capacity	20 hour rate (62.06A to 1.80v/cell) 10 hour rate (105.6A to 1.80v/cell) 5 hour rate (180.4A to 1.75v/cell) 1hour rate (605.9A to 1.60v/cell)	1241.2Ah 1056.0Ah 902.0Ah 605.9Ah	>> adopt tubular positive plate >> longest lifespan under deep discharge >> Strong temperature resistance performance >> Better charge reception capability >> 20 years design life
Operating Temp. Range	Discharge : -20℃~55℃ Charge : -10℃~45℃ Storage : -15℃~45℃		
Max. Discharge Current	5000A(5sec)		
Short Circuit Current	8800A		
Designed life	20 years (floating) at 25℃(77 °F)		
Internal Resistance	Full charged battery (25℃,77 °F) 0.25mΩ		
Constant Voltage Charge	Cycle	Initial Charging Current less than :≤250A Voltage: 2.35~2.40V at 25℃ (77 °F) Temperature Coefficient -5mV/℃	
	Standby	No limit on Initial Charging Current Voltage: 2.23V at 25℃ (77 °F) Temperature Coefficient -3mV/℃	

CONSTANT CURRENT DISCHARGE RATING A@25℃

F.V/TIME	30min	1h	2h	3h	4h	5h	8h	10h	24h
1.60V	843	577	360	259	207	178	127.5	106.1	47.20
1.65V	815	563	353	255	205	176	126.6	105.5	47.18
1.70V	781	547	344	251	202	174	125.1	105.0	46.70
1.75V	751	530	335	246	198	171	122.8	103.5	45.90
1.80V	687	505	323	241	194	167	119.7	100.3	44.80
1.85V	610	469	305	233	188	162	116.3	99.0	43.40

CONSTANT POWER DISCHARGE RATING WATT PER CELL@25℃

F.V/TIME	30min	1h	2h	3h	4h	5h	8h	10h	24h
1.60V	1536	1063	664	480	383	330	237.1	197.2	88.10
1.65V	1499	1040	650	473	379	327	235.3	196.4	87.90
1.70V	1440	1010	636	467	375	322	232.2	195.3	86.90
1.75V	1390	986	623	457	369	318	229.1	193.5	86.20
1.80V	1283	951	608	454	367	316	227.3	190.1	85.10
1.85V	1160	890	582	445	360	310	223.2	189.2	84.10



(Note) All above information shall be changed without prior notice, Shimastu reserves the right to explain and update the latest information.