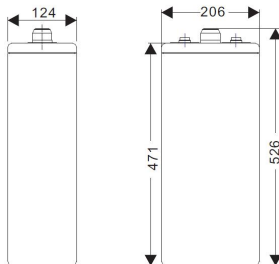
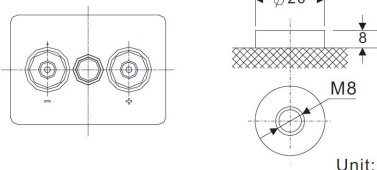


## PHYSICAL SPECIFICATION

Nominal Voltage		2V	
Nominal Capacity (10HR)		350Ah	
Dimension	Length	124±2mm	(4.88 inches)
	Width	206±2mm	(8.11 inches)
	Container Height	471±2mm	(18.54 inches)
	Total Height	526±2mm	(20.70 inches)
Weight		Approx. 27 Kg ±3% (59.50lbs)	
Standard Terminal		Bolt-and-nuts terminal Bolt Type: M8	

Unit: mm



## ELECTRICAL SPECIFICATION

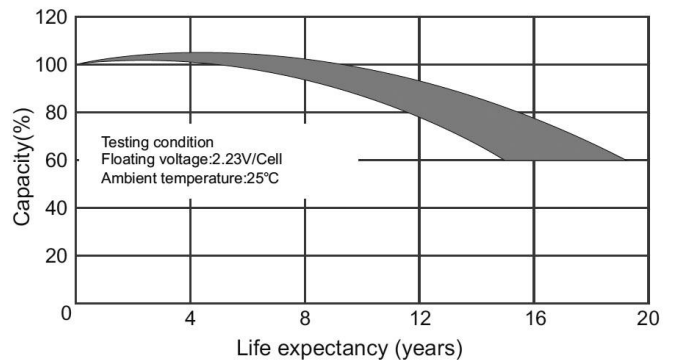
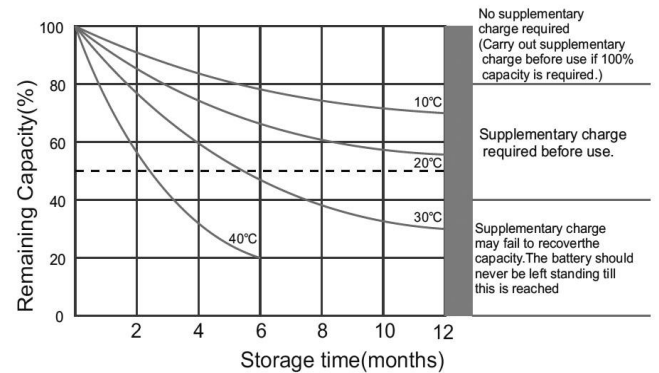
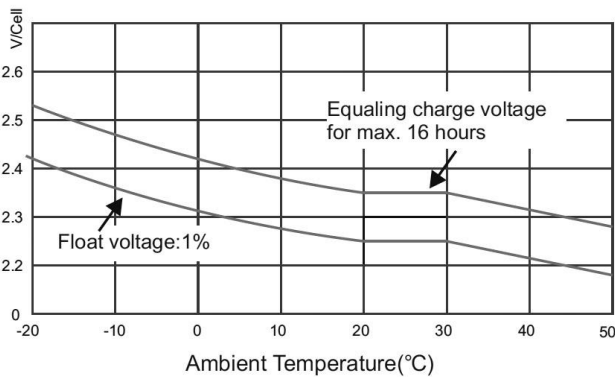
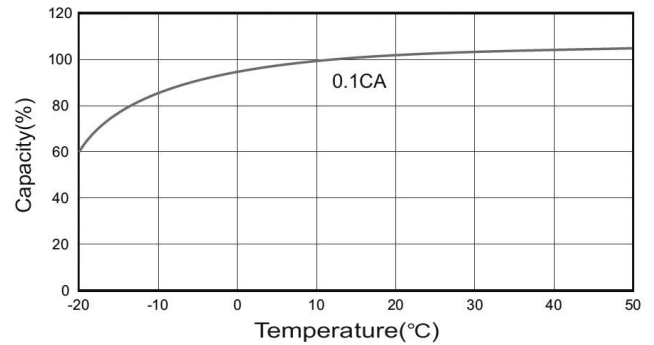
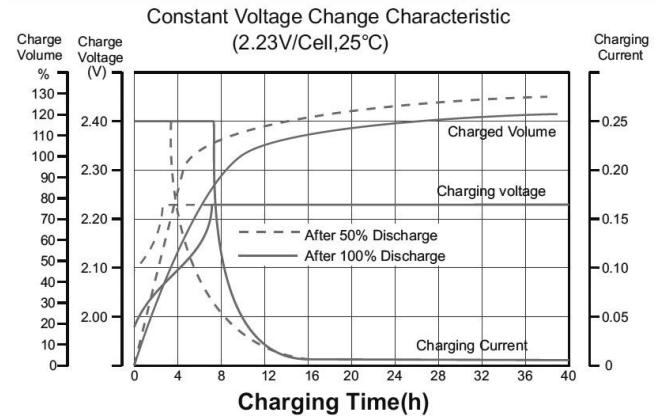
Characteristics			Main Advantages
Capacity	20 hour rate (21.72A to 1.80v/cell) 10 hour rate (36.97A to 1.80v/cell) 5 hour rate (63.14A to 1.75v/cell) 1hour rate (212.0A to 1.60v/cell)	434.4Ah 369.7Ah 315.7Ah 212.0Ah	>> adopt tubular positive plate >> longest lifespan under deep discharge >> Strong temperature resistance performance >> Better charge reception capability >> 20 years design life
Operating Temp. Range	Discharge : -20°C~55°C Charge : -10°C~45°C Storage : -15°C~45°C		
Max. Discharge Current	1400A(5sec)		
Short Circuit Current	3800A		
Designed life	20 years ( floating ) at 25°C(77 °F)		
Internal Resistance	Full charged battery (25°C,77 °F) 0.6mΩ		
Constant Voltage Charge	Cycle	Initial Charging Current less than :≤87.5A Voltage: 2.35~2.40V at 25°C (77 °F ) Temperature Coefficient -5mV/°C	
	Standby	No limit on Initial Charging Current Voltage: 2.23V at 25°C (77 °F ) Temperature Coefficient -3mV/°C	

### CONSTANT CURRENT DISCHARGE RATING A@25°C

F.V/TIME	30min	1h	2h	3h	4h	5h	8h	10h	24h
1.60V	295	202	126	91	72	62	44.6	37.1	16.52
1.65V	285	197	123	89	72	62	44.3	36.9	16.50
1.70V	273	191	120	88	71	61	43.8	36.8	16.35
1.75V	263	186	117	86	69	60	43.0	36.2	16.07
1.80V	241	177	113	84	68	58	41.9	35.1	15.68
1.85V	214	164	107	81	66	57	40.7	34.7	15.19

### CONSTANT POWER DISCHARGE RATING WATT PER CELL@25°C

F.V/TIME	30min	1h	2h	3h	4h	5h	8h	10h	24h
1.60V	538	372	232	168	134	116	83.0	69.0	30.84
1.65V	525	364	228	166	133	114	82.4	68.7	30.77
1.70V	504	354	223	163	131	113	81.3	68.4	30.42
1.75V	487	345	218	160	129	111	80.2	67.7	30.17
1.80V	449	333	213	159	128	110	79.6	66.8	29.79
1.85V	406	312	204	156	126	109	78.1	66.5	29.44



(Note) All above information shall be changed without prior notice, Shimastu reserves the right to explain and update the latest information.