

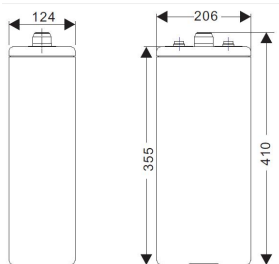
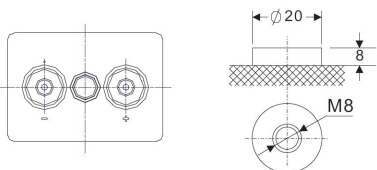


OPzS250 Tubular Battery



PHYSICAL SPECIFICATION

Nominal Voltage		2V	
Nominal Capacity (10HR)		250Ah	
Dimension	Length	124±2mm	(4.88 inches)
	Width	206±2mm	(8.11 inches)
	Container Height	355±2mm	(13.98 inches)
	Total Height	410±2mm	(16.14 inches)
Weight		Approx. 20.5 Kg ±3% (45.18lbs)	
Standard Terminal		Bolt-and-nuts terminal Bolt Type: M8	

Unit: mm



ELECTRICAL SPECIFICATION

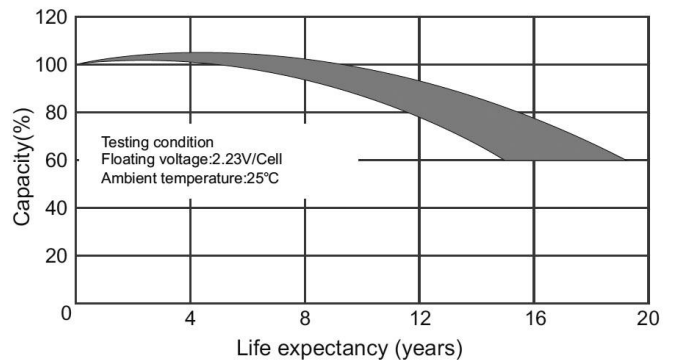
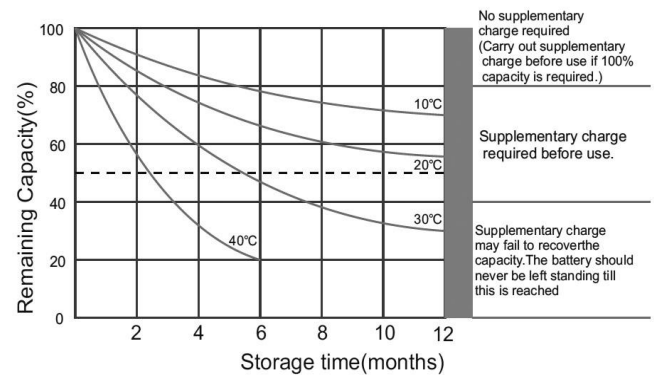
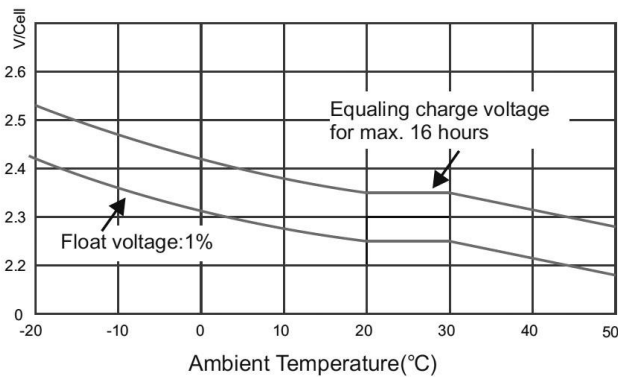
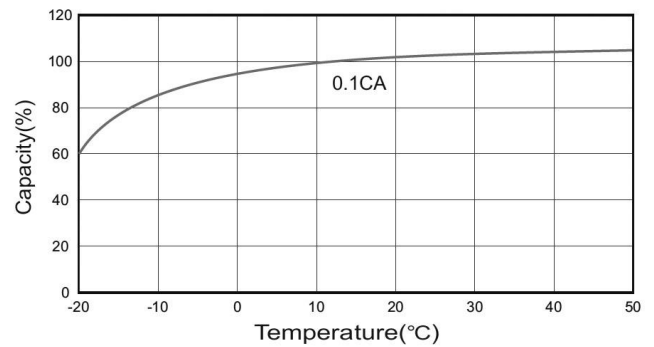
Characteristics			Main Advantages
Capacity	20 hour rate (15.51A to 1.80v/cell) 10 hour rate (26.41A to 1.80v/cell) 5 hour rate (45.10A to 1.75v/cell) 1hour rate (151.5A to 1.60v/cell)	310.2Ah 264.1Ah 225.5Ah 151.5Ah	<ul style="list-style-type: none"> >> adopt tubular positive plate >> longest lifespan under deep discharge >> Strong temperature resistance performance >> Better charge reception capability >> 20 years design life
Operating Temp. Range	Discharge : -20°C~55°C Charge : -10°C~45°C Storage : -15°C~45°C		
Max. Discharge Current	1500A(5sec)		
Short Circuit Current	2750A		
Designed life	20 years (floating) at 25°C(77 °F)		
Internal Resistance	Full charged battery (25°C,77 °F) 0.7mΩ		
Constant Voltage Charge	Cycle	Initial Charging Current less than :≤62.5A Voltage: 2.35~2.40V at 25°C (77 °F) Temperature Coefficient -5mV/°C	
	Standby	No limit on Initial Charging Current Voltage: 2.23V at 25°C (77 °F) Temperature Coefficient -3mV/°C	

CONSTANT CURRENT DISCHARGE RATING A@25°C

F.V/TIME	30min	1h	2h	3h	4h	5h	8h	10h	24h
1.60V	211	144	90	65	52	45	31.9	26.5	11.80
1.65V	204	141	88	64	51	44	31.7	26.4	11.80
1.70V	195	137	86	63	50	43	31.3	26.3	11.68
1.75V	188	133	84	61	49	43	30.7	25.9	11.48
1.80V	172	126	81	60	48	42	29.9	25.1	11.20
1.85V	153	117	76	58	47	40	29.1	24.8	10.85

CONSTANT POWER DISCHARGE RATING WATT PER CELL@25°C

F.V/TIME	30min	1h	2h	3h	4h	5h	8h	10h	24h
1.60V	384	266	166	120	96	83	59.3	49.3	22.03
1.65V	375	260	163	118	95	82	58.8	49.1	21.98
1.70V	360	253	159	117	94	81	58.1	48.8	21.73
1.75V	348	247	156	115	92	80	57.3	48.4	21.56
1.80V	321	238	152	114	91	79	56.8	47.3	21.28
1.85V	290	223	146	111	90	78	55.8	47.5	21.03



(Note) All above information shall be changed without prior notice, Shimastu reserves the right to explain and update the latest information.